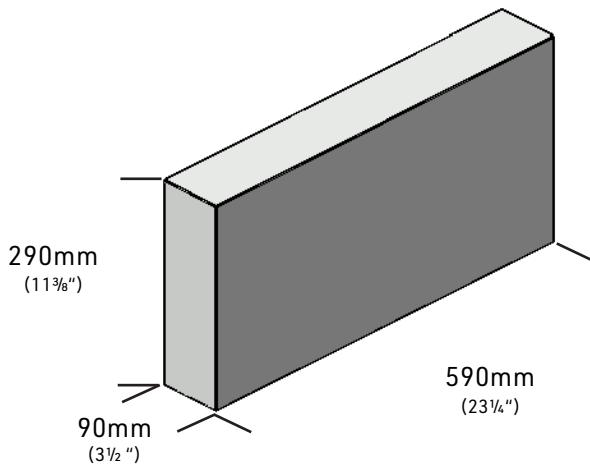




# TECHNICAL DETAILS

## 90x290x590 Tapestry Stretcher

### PRODUCT DRAWINGS

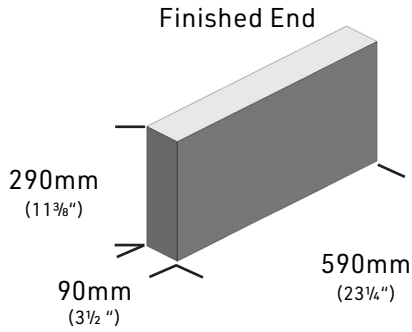


### PRODUCT DETAILS

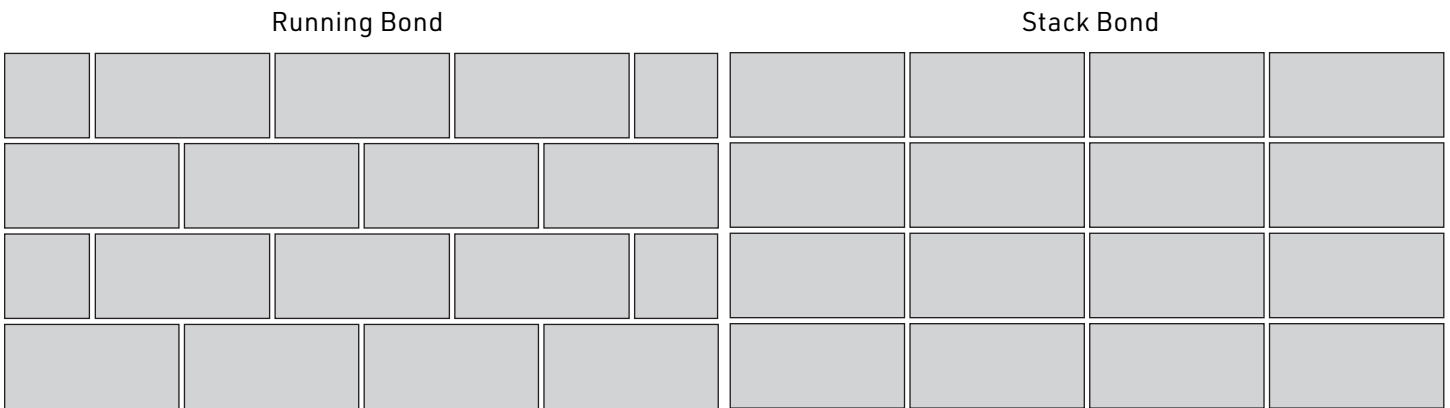
|                   | 90x290x590<br>Tapestry Stretcher |          | 90x290x590<br>Tapestry Corner |          |
|-------------------|----------------------------------|----------|-------------------------------|----------|
|                   | Metric                           | Imperial | Metric                        | Imperial |
| Selling UoM       |                                  | EA       |                               | EA       |
| Units/Skid        | 40EA                             | 40EA     | 40EA                          | 40EA     |
| Weight/Each       | 31.3kg                           | 68.77lbs | 31.3kg                        | 68.77lbs |
| Weight/Skid       | 1,269kg                          | 2,791lbs | 1,269kg                       | 2,791lbs |
| # of Layers       | 2                                | 2        | 2                             | 2        |
| Pieces/Layer      | 20                               | 20       | 20                            | 20       |
| Coverage/Unit     | 0.186m <sup>2</sup>              | 2sf      | 0.186m <sup>2</sup>           | 2sf      |
| Coverage/Skid     | 7.43m <sup>2</sup>               | 80sf     | 7.43m <sup>2</sup>            | 80sf     |
| Linear Unit/Piece | 0.30m                            | 0.98lf   | 0.30m                         | 0.98lf   |
| Pallet Size       | 101cmx119cm                      | 40"x47"  | 101cmx119cm                   | 40"x47"  |

## CORNERS

Corner units are sold separately.

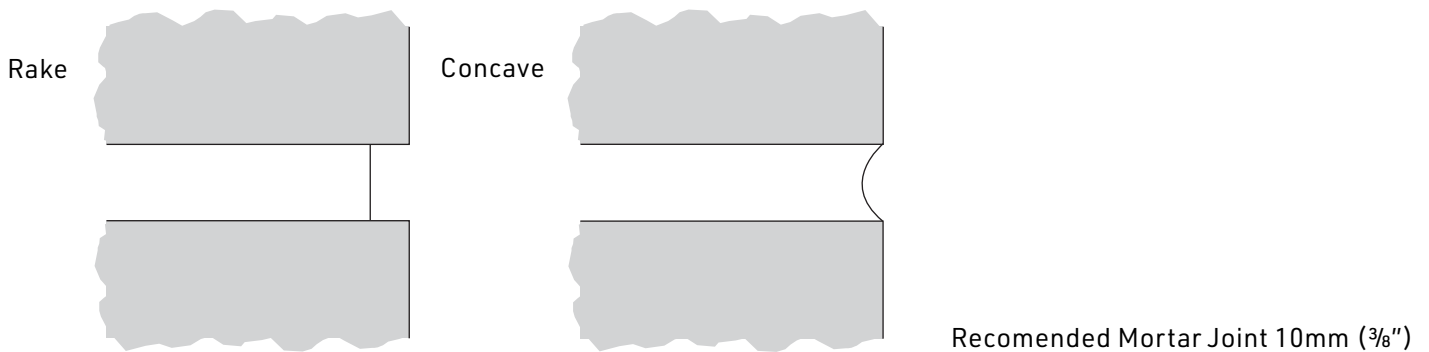


## TYPICAL INSTALLATION PATTERN

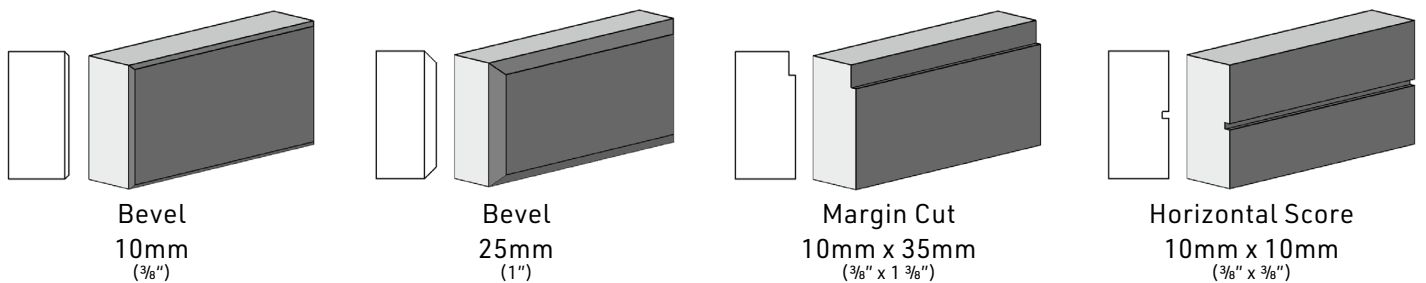


Typical Installation Guidelines: • Blend product from multiple packages for most natural look

## TYPICAL MORTAR JOINT



## PRODUCT OPTIONS



## TYPICAL COURSING GUIDE

Tables Include one unit and one joint.

| Vertical Units | 10mm Joint | 3/8" Joint                          | Horizontal Units | 10mm Joint | 3/8" Joint                          |
|----------------|------------|-------------------------------------|------------------|------------|-------------------------------------|
| 1              | 300mm      | 15 <sup>3</sup> / <sub>4</sub> "    | 1                | 600mm      | 23 <sup>5</sup> / <sub>8</sub> "    |
| 2              | 600mm      | 31 <sup>1</sup> / <sub>2</sub> "    | 2                | 1,200mm    | 47 <sup>1</sup> / <sub>4</sub> "    |
| 3              | 900mm      | 47 <sup>1</sup> / <sub>4</sub> "    | 3                | 1,800mm    | 70 <sup>3</sup> / <sub>4</sub> "    |
| 4              | 1,200mm    | 62 <sup>7</sup> / <sub>8</sub> "    | 4                | 2,400mm    | 94 <sup>3</sup> / <sub>8</sub> "    |
| 5              | 1,500mm    | 78 <sup>5</sup> / <sub>8</sub> "    | 5                | 3,000mm    | 118"                                |
| 6              | 1,800mm    | 94 <sup>3</sup> / <sub>8</sub> "    | 6                | 3,600mm    | 141 <sup>5</sup> / <sub>8</sub> "   |
| 7              | 2,100mm    | 110 <sup>1</sup> / <sub>8</sub> "   | 7                | 4,200mm    | 165 <sup>1</sup> / <sub>4</sub> "   |
| 8              | 2,400mm    | 125 <sup>7</sup> / <sub>8</sub> "   | 8                | 4,800mm    | 188 <sup>7</sup> / <sub>8</sub> "   |
| 9              | 2,700mm    | 141 <sup>1</sup> / <sub>2</sub> "   | 9                | 5,400mm    | 212 <sup>3</sup> / <sub>8</sub> "   |
| 10             | 3,000mm    | 157 <sup>1</sup> / <sub>4</sub> "   | 10               | 6,000mm    | 236"                                |
| 20             | 6,000mm    | 314 <sup>5</sup> / <sub>8</sub> "   | 20               | 12,000mm   | 472"                                |
| 30             | 9,000mm    | 471 <sup>7</sup> / <sub>8</sub> "   | 30               | 18,000mm   | 708 <sup>1</sup> / <sub>8</sub> "   |
| 40             | 12,000mm   | 629 <sup>1</sup> / <sub>8</sub> "   | 40               | 24,000mm   | 944 <sup>1</sup> / <sub>8</sub> "   |
| 50             | 15,000mm   | 786 <sup>1</sup> / <sub>2</sub> "   | 50               | 30,000mm   | 1,180 <sup>1</sup> / <sub>8</sub> " |
| 100            | 30,000mm   | 1,572 <sup>7</sup> / <sub>8</sub> " | 100              | 60,000mm   | 2,360 <sup>3</sup> / <sub>8</sub> " |

## CODES & STANDARDS

Shouldice Stone Products are supported by the following National Codes & Standards. Refer to local building codes and standards to confirm best practice.

### CANADIAN

[CSA A165 Standards on Concrete Masonry Units](#)

[CSA A371 Masonry Construction for Buildings](#)

[CSA A179 Mortar and Grout for Unit Masonry](#)

[CSA A370 Connectors for Masonry](#)

### AMERICAN

[ASTM C55 Specification for Concrete Building Brick](#)

[ASTM C90 Specification for Loadbearing Concrete Masonry Units](#)

[ASTM C270 Specification for Mortar for Unit Masonry](#)

[ASTM C476 Specification for Grout for Masonry](#)

[ASTM C1634 Specification for Concrete Facing Brick and Other Concrete Masonry Facing Units](#)

[NCMA TEK 8-4A Cleaning Concrete Masonry](#)

[NCMA TEK 9-1A Mortars for Concrete Masonry](#)

[NCMA TEK 8-3A Control and Removal of Efflorescence](#)

[NCMA TEK 10-4 Crack Control for Concrete Brick and other Concrete Masonry Veneers](#)

[NCMA TEK 19-5A Flashing Details for Concrete Masonry Walls](#)

## TYPICAL UNIT PROPERTIES

Products exceed the CSA and ASTM standards.

|      | Standard | Compression Strength | Absorption            | Density                | Fire Rate (Hours) |
|------|----------|----------------------|-----------------------|------------------------|-------------------|
| CSA  | A165.1   | >15mpa               | <8%                   | >2000kg/m <sup>2</sup> | 1.4               |
| ASTM | C1634    | >3000psi             | <12lb/ft <sup>3</sup> | >125lb/ft <sup>3</sup> |                   |

## HATCH PATTERNS & TEXTURE MAPS

To access Shouldice Stone Hatch Patterns and texture maps visit the corresponding [shouldice.ca](https://www.shouldice.ca) [product page](#) for current availability.

## CONTACT US

For technical questions regarding our product line please contact our knowledgeable customer service team. By phone: **800.265.3174** or email: **designer@shouldice.ca**